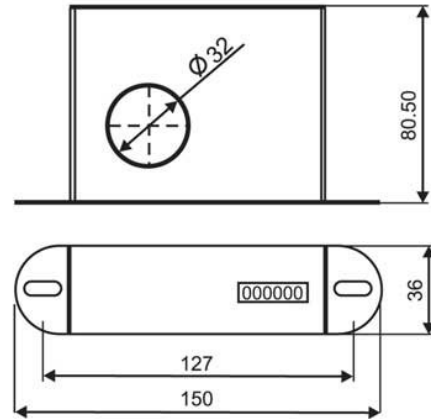


# COUNTER



Dimension

► Passive Lightning event counter is used for testing the lightning event in a certain area.

Type	SPD -C1-I2- MI
Counting Current (rise time > 8μs)	> 500A
Sequence of impulse	> 1s
Display Model	Electromechanical digital display
Indicator	Lightning Event 0~999999
Current Sample Mode	Inductive Probe (Built-in)
Working mode	No battery need
Operation temperature (°C)	-20~+60
Dimension of window (mm)	32
Dimension of counter (mm)	150x80.5x36
Enclosure material	Steel
Degree of protection	IP67

► Install:

